

# DH-PFM904

## Integrated Mount Tester



With Linux operating system, stable running, and simple user interface, this integrated mount tester greatly improves overall operation efficiency and user experience. Adopting a removable wrist strap, it can be handled with a single hand and is more suitable to various complicated scenarios. Integrated with functions such as HDCVI/TVI/AHD/CVBS video and audio tests, it meets most security surveillance requirements.

### Features

- HDCVI/AHD/TVI/CVBS video display control
- 12V/1A DC power supply for the camera
- Support RS-485 control
- Support audio test
- Charge through USB connector
- Compact and portable, designed with a removable wrist strap
- Replaceable 18650 lithium ion battery

**Technical Specification****System**

Operation System	Linux
Language	Multi-language interface
Operation Mode	Keyboard
Auto Standby/Shutdown	Yes
Keyboard Sound	Enable/disable
Screen	4.3" TFT screen, 480 × 272 resolution
Keyboard	Controlling keyboard: 8 keys Others: power button
LED Indicator Light	3* 35lm lights
Update	Local update

**Analog Video Test**

Format	HDCVI; HDTVI; AHD; CVBS (NTSC; PAL)
Resolution	HDCVI: 2MP@25 fps/30 fps; 4MP@25 fps/30 fps; 5MP@20 fps; 6MP@20 fps; 4K@12.5 fps/15 fps HDTVI: 2MP@25 fps/30 fps; 4MP@25 fps/30 fps; 5MP@20 fps AHD: 2MP@25 fps/30 fps; 4MP@25 fps/30 fps CVBS: NTSC; PAL
Function Control	OSD menu display; PTZ
Video Display	Live view

**RS-485 Control**

Communication Protocol	More than 30 protocols such as Pelco-D/P, Samsung, Panasonic, Lilin, and Yaan
Baud Rate	150 bps; 300 bps; 600 bps; 1200 bps; 2400 bps; 4800 bps; 9600 bps; 19200 bps

**Protection**

ESD	Air discharge: ±8KV Contact discharge: ±6KV
-----	--

**Others**

Audio Test	1 channel audio input test
Camera Power Supply	12V/1A DC power output to the camera

**Certifications**

Certifications	CE: EN 55032 FCC: FCC Part 15 Subpart B
----------------	--

**Port**

Power	1 power out, 12V/1A DC
Audio	1 audio input
USB	1 USB micro-B, charging/data
RS-485	1

**Power**

Charging	Micro USB 5V/1A
Battery	2* 18650 lithium iron batteries, up to 14.8Wh, working about 8 hours

**Environment**

Operating Temperature	-10°C to +55°C (+14°F to +131°F)
Operating Humidity	30%–95% (RH)

**Structure**

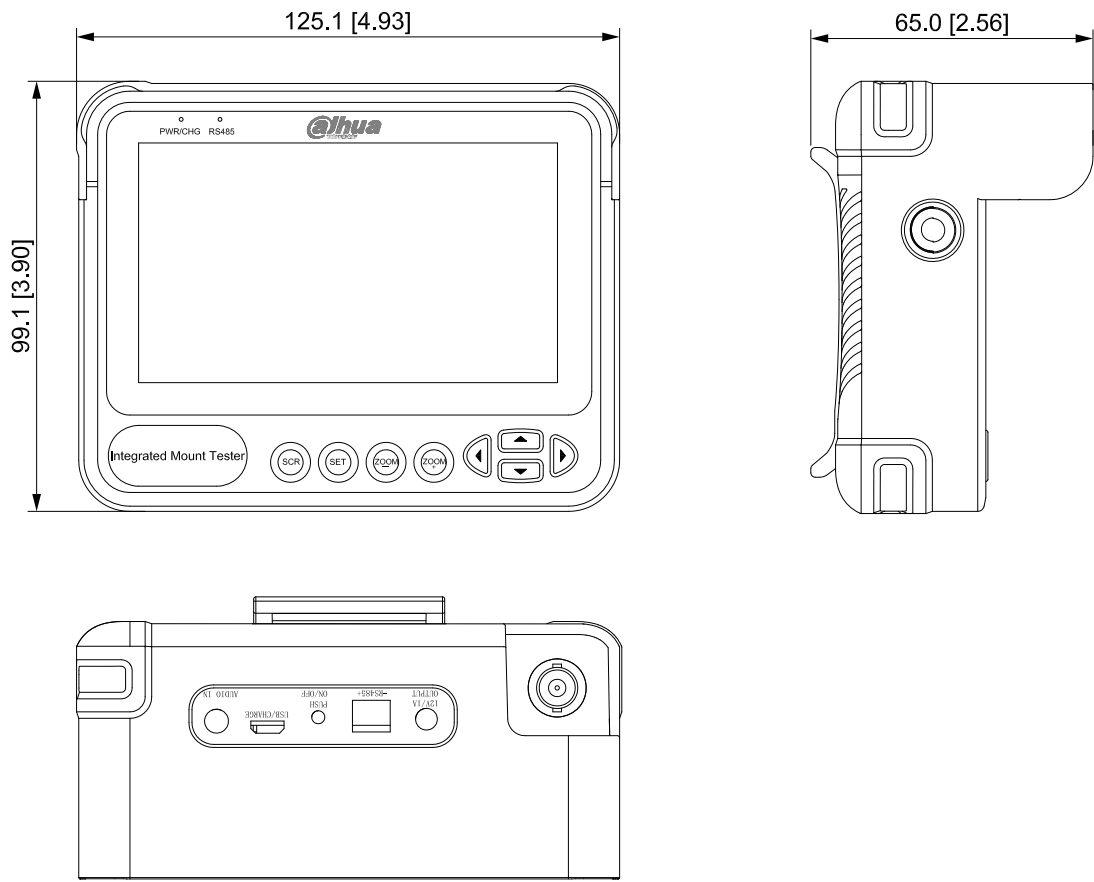
Appearance Color	Yellow
------------------	--------

Dimensions	125.0 mm × 100.0 mm × 65.0 mm (4.92" × 3.94" × 2.56") (L × W × H)
Net Weight	0.34 kg (0.75 lb)
Gross Weight	0.74 kg (1.63 lb)

Ordering Information		
Type	Part Number	Description
Tool Series	DH-PFM904	Dahua wrist type integrated mount tester
	PFM904	General wrist type integrated mount tester

Package Information	
Integrated Mount Tester	1
18650 Lithium Ion Battery	2
Coaxial Cable	1
USB Cable	1
RS-485 Cable	1
Power Cord	1
Audio Cable	1

**Dimensions (mm/inch)**



Application

