

# ioXpander-8 Module

Internal wired 8 I/O expander for PowerMaster-33 control panel



## Installation Instructions

### 1. Introduction

The ioXpander-8 module enhances the PowerMaster-33 control panel with 8 programmable wired zone inputs or outputs. The behavior of each wired PGM output can be configured and each wired zone input can be set up with a location and type.

The ioXpander-8 module is optional, and can be installed in a PowerMaster-33 EXP control panel with version 19.2 or higher.

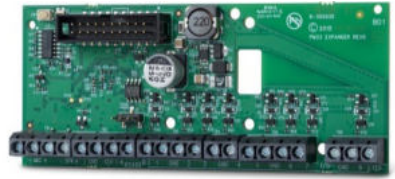


Fig. 1 ioXpander-8 Module

### 2. Installation and wiring

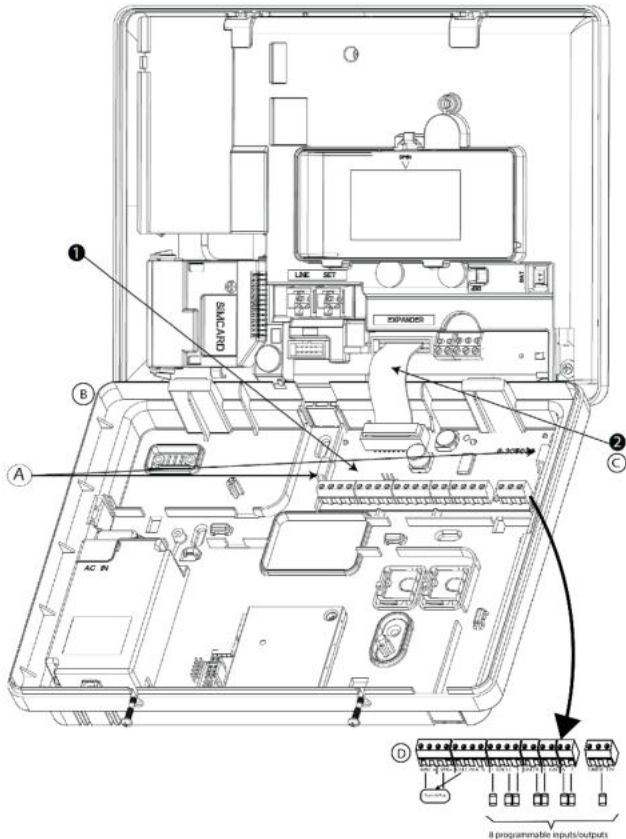


Figure 2.1 – ioXpander-8 Mounting and Wiring

- A. Clips
- B. Back panel
- C. Expander Module flat cable
- D. Connecting devices

#### Notes for ioXpander-8 module wiring:

Wired zone terminals can be connected to a normally closed contact of a detector, switch (for example a tamper switch of any device), or a pushbutton, via a 2.2 K $\Omega$  resistor. **The 12V terminal can be used to supply 12V to low power detectors with up to 10mA standby current drain as DA-5; PL-1; Next\_PIR; Vi-Motion; Vi-Pet.**

**IMPORTANT!** The terminals for internal and external sirens are DC outputs intended for 12v sirens. Connecting a loudspeaker to any of these outputs will cause a short circuit and will damage the unit.

The Speech Box is a wired remote speaker and microphone device for indoor use. It provides two-way voice communication between the user and the central station using the control panel.

**Caution!** Do not install or remove the ioXpander-8 module when the control panel is powered by AC power or battery.

For wired zones, the control panel classifies the events according to the resistance it measures as shown in the table below.

E.O.L or Arming Key Resistance

Range	Zone	Arming Key
~0 k $\Omega$ - 1.76 k $\Omega$	Tamper/ Short circuit	Tamper
~1.77 k $\Omega$ - 2.64 k $\Omega$	Normal	Normal
~2.65 k $\Omega$ - 3.52 k $\Omega$	Tamper	Tamper
~3.53 k $\Omega$ - 5.26 k $\Omega$	Alarm	Alarm
~5.26 k $\Omega$ - $\infty$	Tamper	Tamper

Pin #1 to #8 can be configured either as zone inputs or as PGM outputs.

To mount the expander module as shown in Figure 2.1, complete the following steps:

1. Press downward on the expander module between the two clips to insert the module into the back panel. See Figure 2.1 ioXpander-8 Mounting and Wiring (A) to identify the clips.
2. Connect the ioXpander-8 module by the flat cable to the front panel expander slot "EXPANDER".

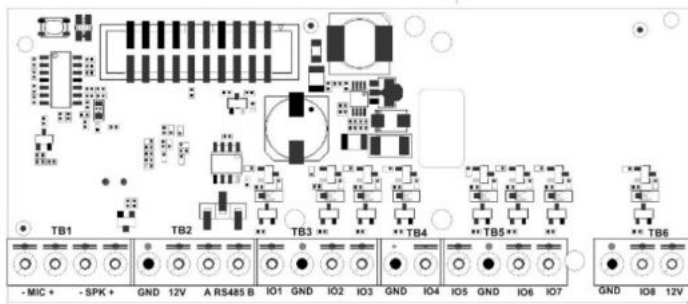


Figure 2.2 – Location of pinouts

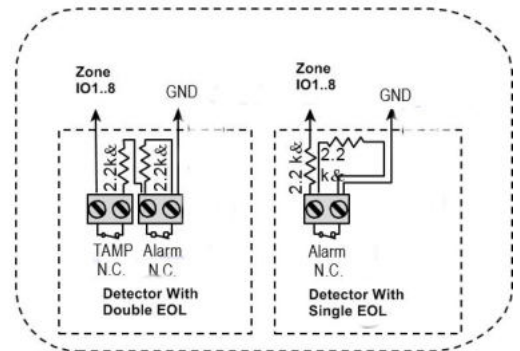


Figure 2.3 – Detector connection example

### 3. Configuring inputs and outputs on the module

Before enrolling and configuring the module:

1. Check that the ioXpander-8 is installed in the PowerMaster-33. For more information, see Section 2.
2. Check that the KP-250 is enrolled to the PowerMaster-33. For more information, see the KP-250 enrollment procedure in the PowerMaster-33 Installer's Guide.
3. Set the **Enable Expander** (Installer Menu **OK** **→** 05:OUTPUTS **OK**) option to **Enabled**.

#### Configuring I/O types to zone or PGM

1. Access the Installer Menu.
2. Navigate to **Menu 05: Outputs** and click **OK**.
3. Select **EXP I/O PINS** and click **OK**.
4. Select the pin number.
5. Depending on the physical setup, select either **Zone** or **PGM**.

**Note:** By default, pin 1 to 6 are configured to Zone; pin 7 and 8 are configured to PGM.

#### Enrolling wired devices

1. Access the Installer Menu.
2. Navigate to **Menu 02: Zones / Devices**
3. Select **Add New Devices**. The **Enroll Now or Enter ID:xxx-xxxx** message appears on the LCD.
4. Enter '051-000x' where x defines the pin number the wired device is connected to click **OK**.
5. The **ID accepted** message appears on the LCD. Click **OK**.
6. Navigate to configure the **Device Settings**.

#### Programming PGM outputs

1. Access the Installer Menu.
  2. Navigate to **Menu 05: Outputs** and click **OK**.
  3. Select **PGM Outputs** and click **OK**.
  4. Select **PGM on Expander** and click **OK**. **P0X: PGM PIN #X** displays.
- Note:** X represents the number of the PGM output from the possible values 1 to 8.

**Note:** The list displays only the pins defined as PGM and enables to program each PGM output behavior.

5. Select the required pin number and click **OK**.
6. Select the required PGM configuration option.

Alternatively, enroll PGM outputs as follows:

1. Access the Installer menu.
2. Navigate to **Menu 02: Zones / Devices**
3. Select **Add New Devices**. The **Enroll Now or Enter ID:xxx-xxxx** message appears on the LCD.
4. Enter '071-000x' where x defines the pin number the output is connected to and click **OK**.
5. The **ID accepted** message appears on the LCD. Click **OK**
6. Select the required PGM configuration option.

### 4. Specifications

Electrical	
Input voltages (from PM-33 panel)	+ (6.5 ÷ 13.8) V + 3.8 V
Output voltage (to Wired Detectors)	+12 V ± 5 %
Output current	36 mA average / 450 mA max.
Input/Outputs (Zones/PGMs) channels quantity	8
Zone loop idle voltage	3.3 V
Zone EOL nominal termination	2.2 KOhm ± 5 % (max. resistance of wires 220 Ω)
PGM current	100 mA max.
PGM voltage (through resistance load)	+ 15 V max.
Operating Temp. Range	14 °F to 120 °F (-10 °C to 49 °C)
Storage Temp. Range	-4 °F to 140 °F (-20 °C to 60 °C)
RS-485 interface to ioXpander-12x4 external wired expander	
Interface to Visonic speech box	

#### Warranty

Visonic Ltd. ("Seller") warrants the Products to the original purchaser only (the "Buyer") against defective workmanship and materials under normal use of the Products for a period of twelve (12) months from the date of shipment by the Seller.

This Warranty is absolutely conditional upon the Products having been properly installed, maintained and operated under conditions of normal use in accordance with the Seller's recommended installation and operation instructions. Products which have become defective for any other reason, according to the Seller's discretion, such as improper installation, failure to follow recommended installation and operational instructions, neglect, willful damage, misuse or vandalism, accidental damage, alteration or tampering, or repair by anyone other than the Seller, are not covered by this Warranty.

There is absolutely no warranty on software, and all software products are sold as a user license under the terms of the software license agreement included with such Product.

Conditions to Void Warranty: This warranty applies only to defects in parts and workmanship relating to normal use of the Products. It does not cover:

- damage incurred in shipping or handling;
- damage caused by disaster such as fire, flood, wind, earthquake or lightning;
- damage due to causes beyond the control of the Seller such as excessive voltage, mechanical shock or water damage;
- damage caused by unauthorized attachment, alterations, modifications or foreign objects being used with or in conjunction with the Products;
- damage caused by peripherals (unless such peripherals were supplied by the Seller);
- defects caused by failure to provide a suitable installation environment for the products;
- damage caused by use of the Products for purposes other than those for which they were designed;
- damage from improper maintenance
- damage arising out of any other abuse, mishandling or improper application of the Products.

**Items Not Covered by Warranty:** In addition to the items which void the Warranty, the following items shall not be covered by Warranty: (i) freight cost to the repair center; (ii) customs fees, taxes, or VAT that may be due; (iii) Products which are not identified with the Seller's product label and lot number or serial number; (iv) Products disassembled or repaired in such a manner as to adversely affect performance or prevent adequate inspection or testing to verify any warranty claim. Access cards or tags returned for replacement under warranty will be credited or replaced at the Seller's option

**THIS WARRANTY IS EXCLUSIVE AND EXPRESSLY IN LIEU OF ALL OTHER WARRANTIES, OBLIGATIONS OR LIABILITIES, WHETHER WRITTEN, ORAL, EXPRESS OR IMPLIED, INCLUDING ANY WARRANTY OF MERCHANTABILITY OR FITNESS FOR A PARTICULAR PURPOSE, OR OTHERWISE. IN NO CASE SHALL THE SELLER BE LIABLE TO ANYONE FOR ANY CONSEQUENTIAL OR INCIDENTAL DAMAGES FOR BREACH OF THIS WARRANTY OR ANY OTHER WARRANTIES WHATSOEVER, AS AFORESAID. THE SELLER SHALL IN NO EVENT BE LIABLE FOR ANY SPECIAL, INDIRECT, INCIDENTAL,**

**CONSEQUENTIAL OR PUNITIVE DAMAGES OR FOR LOSS, DAMAGE, OR EXPENSE, INCLUDING LOSS OF USE, PROFITS, REVENUE, OR GOODWILL, DIRECTLY OR INDIRECTLY ARISING FROM PURCHASER'S USE OR INABILITY TO USE THE PRODUCT, OR FOR LOSS OR DESTRUCTION OF OTHER PROPERTY OR FROM ANY OTHER CAUSE, EVEN IF SELLER HAS BEEN ADVISED OF THE POSSIBILITY OF SUCH DAMAGE.**

**THE SELLER SHALL HAVE NO LIABILITY FOR ANY DEATH, PERSONAL AND/OR BODILY INJURY AND/OR DAMAGE TO PROPERTY OR OTHER LOSS WHETHER DIRECT, INDIRECT, INCIDENTAL, CONSEQUENTIAL OR OTHERWISE, BASED ON A CLAIM THAT THE PRODUCT FAILED TO FUNCTION.** However, if the Seller is held liable, whether directly or indirectly, for any loss or damage arising under this limited warranty, **THE SELLER'S MAXIMUM LIABILITY (IF ANY) SHALL NOT IN ANY CASE EXCEED THE PURCHASE PRICE OF THE PRODUCT INVOLVED**, which shall be fixed as liquidated damages and not as a penalty, and shall be the complete and exclusive remedy against the Seller.

When accepting the delivery of the Products, the buyer agrees to the said conditions of sale and warranty and he recognizes having been informed of.

Some jurisdictions do not allow the exclusion or limitation of incidental or consequential damages, so these limitations may not apply under certain circumstances.

The Seller shall be under no liability whatsoever arising out of the corruption and/or malfunctioning of any telecommunication or electronic equipment or any programs.

The Seller's obligations under this Warranty are limited solely to repair and/or replace at the Seller's discretion any Product or part thereof that may prove defective. Any repair and/or replacement shall not extend the original Warranty period. The Seller shall not be responsible for dismantling and/or reinstallation costs. To exercise this Warranty the Products must be returned to the Seller freight pre-paid and insured. All freight and insurance costs are the responsibility of the Buyer and are not included in this Warranty.

This Warranty shall not be modified, varied or extended, and the Seller does not authorize any person to act on its behalf in the modification, variation or extension of this warranty. This warranty shall apply to the Products only. All products, accessories or attachments of others used in conjunction with the Products, including batteries, shall be covered solely by their own warranty, if any. The Seller shall not be liable for any damage or loss whatsoever, whether directly, indirectly, incidentally, consequentially or otherwise, caused by the malfunction of the Products due to products, accessories, or attachments of others, including batteries, used in conjunction with the Products. This Warranty is exclusive to the original buyer and is not assignable. This Warranty is in addition to and does not affect your legal rights. Any provision in this warranty which is contrary to the Law in the state or country where the Product is supplied shall not apply.

**Governing Law:** This disclaimer of warranties and limited warranty are governed by the domestic laws of Israel.

#### Warning

The user must follow the Seller's installation and operational instructions including testing the Product and its whole system at least once a week and to take all necessary precautions for his/her safety and the protection of his/her property.



#### W.E.E.E. Product Recycling Declaration

For information regarding the recycling of this product you must contact the company from which you originally purchased it. If you are discarding this product and not returning it for repair then you must ensure that it is returned as identified by your supplier. This product is not to be thrown away with everyday waste.

Directive 2002/96/EC Waste Electrical and Electronic Equipment.

# Módulo de expansión ioXpander-8

Módulo interno de 8 entradas y salidas cableadas para el panel de control PowerMaster-33



## Instrucciones de instalación

### 1. Introducción

El módulo de expansión ioXpander-8 potencia el panel de control PowerMaster-33 con 8 entradas o salidas programables de zonas cableadas. El comportamiento de cada salida programable cableada es configurable y cada entrada de zona cableada se puede configurar con una ubicación y un tipo.

El módulo de expansión ioXpander-8 es optativo y se puede instalar en un panel de control PowerMaster-33 EXP, con la versión 19.2 o posterior.



Figura 1: Módulo de expansión ioXpander-8

### 2. Instrucciones de instalación y cableado

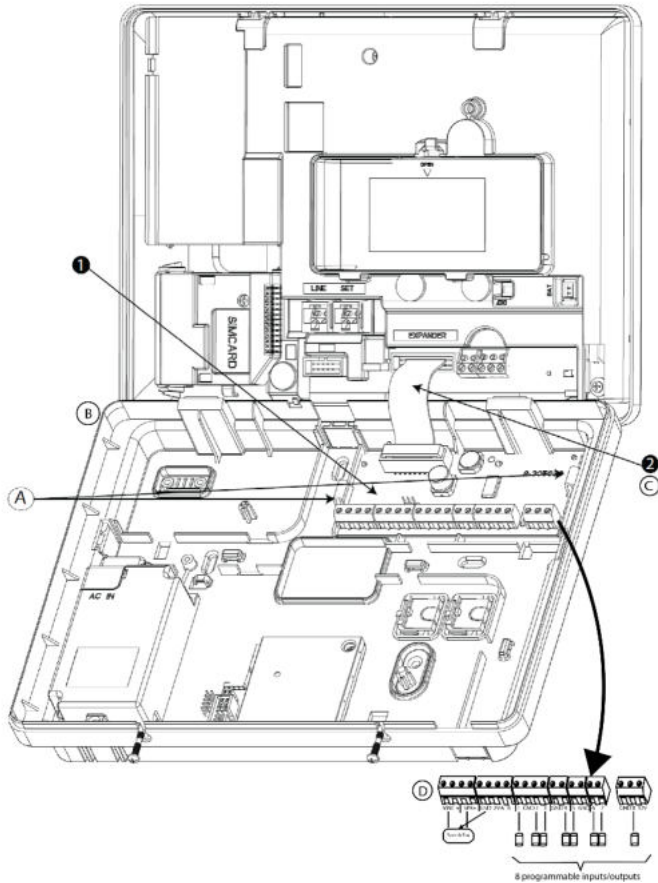


Figura 2.1: Montaje y cableado del módulo de expansión ioXpander-8

- A. Clips
- B. Panel posterior
- C. Cable plano del módulo de expansión
- D. Dispositivos de conexión

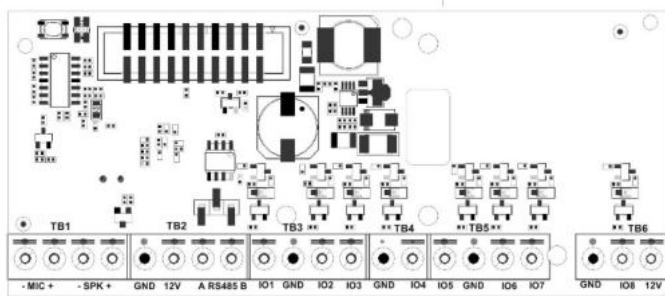


Figura 2.2: Ubicación de patillas

#### Notas para el cableado del módulo de expansión ioXpander-8:

Los terminales de zona cableada se pueden conectar a un contacto normalmente cerrado de un detector, conmutador (por ejemplo, un conmutador de sabotaje de cualquier dispositivo) o un pulsador, a través de una resistencia de 2,2 K $\Omega$ . El terminal 12 V se puede utilizar para suministrar 12 voltios a detectores de baja potencia, con una corriente consumida en reposo de hasta 10 mA, como DA-5, PL-1, Next\_PIR, Vi-Motion y Vi-Pet.

**¡IMPORTANTE!** Los terminales de las sirenas internas y externas son salidas de CC para las sirenas de 12 voltios. La conexión de un altavoz a alguno de estos productos podría causar un cortocircuito y dañar la unidad. Speech Box es un altavoz remoto cableado y un dispositivo de micrófono para uso en interiores. Brinda comunicación por voz bidireccional entre el usuario y la estación central, a través del panel de control.

**¡Precaución!** No instale ni extraiga el módulo de expansión ioXpander-8 cuando el panel de control está alimentado por corriente alterna o por batería. En el caso de la zona cableada, el panel de control clasifica los eventos según la resistencia que mide, tal y como se muestra en la siguiente tabla.

#### E.O.L o Resistencia de armado de llave

Rango	Zona	Armado de llave
~0 k $\Omega$ - 1,76 k $\Omega$	Manipulación o cortocircuito	Manipulación
~1,77 k $\Omega$ - 2,64 k $\Omega$	Normal	Normal
~2,65 k $\Omega$ - 3,52 k $\Omega$	Manipulación	Manipulación
~3,53 k $\Omega$ - 5,26 k $\Omega$	Alarma	Alarma
~5,26 k $\Omega$ - $\infty$	Manipulación	Manipulación

Puede configurar las clavijas 1 al 8, sea como entradas de zonas o salidas de PGM.

Para montar el módulo de expansión, tal y como se muestra en la Figura 2.1, siga los pasos siguientes:

1. Presione hacia abajo en el módulo de expansión entre los dos clips para insertarlo en el panel posterior. Para identificar los clips, consulte la figura 2.1 (A).
2. Conecte el cable plano del módulo de expansión ioXpander-8 en el conector hembra del panel delantero, en la ranura "EXPANSIÓN".

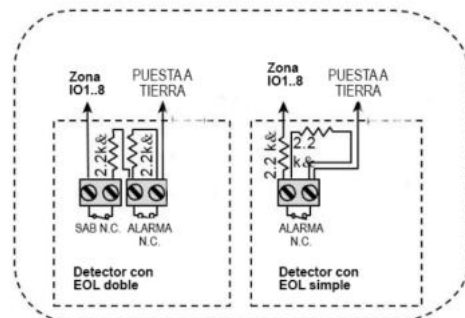


Figura 2.1: Ejemplo de conexión de un detector

### 3. Configuración de entradas y salidas en el módulo

Antes de registrar y configurar el módulo:

1. Compruebe que el ioXpander-8 esté instalado en el PowerMaster-33. Para más información, consulte la sección 2.
2. Compruebe que el KP-250 esté registrado para el PowerMaster-33. Para más información, consulte el procedimiento de registro de KP-250, en la Guía del instalador de PowerMaster-33.
3. Fije la opción **Activar expansor** (menú de Instalador **OK** **»»** 05:SALIDAS **OK**) en **Activada**.

#### Configuración de tipos de E/S para zona o PGM

1. Entre en el menú de Instalador.
2. Vaya a **Menú 05: Salidas** y pulse **Aceptar**.
3. Elija **PINS E/S EXP** y pulse **Aceptar**.
4. Elija el número de pin.
5. En función de la configuración física, elija **Zona** o **PGM**.

**Nota:** Como opción predeterminada, los pines 1 a 6 se configuran en Zona, mientras que los pines 7 y 8 se configuran en PGM.

#### Registro de dispositivos cableados

1. Entre en el menú de Instalador.
2. Vaya a **Menú 02: Zonas/Dispositivos**
3. Elija **Añadir nuevos dispositivos**. En la pantalla LCD se abre el mensaje **Registrar ahora o INTRODUCIR ID:xxx-xxxx**.
4. Introduzca 051-000x, donde x define el número del pin al cual el dispositivo cableado está conectado y pulse **Aceptar**.
5. En la pantalla LCD se abre el mensaje **ID aceptado**. Pulse **Aceptar**.
6. Navegue para configurar los **Parámetros del dispositivo**.

#### Programación de salidas de PGM

1. Entre en el menú de Instalador.
2. Vaya a **Menú 05: Salidas** y pulse **Aceptar**.
3. Vaya a **Salidas de PGM** y pulse **Aceptar**.
4. Elija **PGM en expansor** y pulse **Aceptar**. Se muestra **P0X: PGM PIN #X**.

**Nota:** X representa el número de salida de PGM de los valores posibles, de 1 a 8.

**Nota:** La lista solo muestra los pines definidos como PGM y permite programar cada conducto de salida de PGM.

5. Elija el número de pin deseado y pulse **Aceptar**.
6. Elija la opción de configuración de PGM necesaria.

Como opción, registre salidas de PGM según se indica:

1. Entre en el menú de Instalador.
2. Vaya a **Menú 02: Zonas/Dispositivos**
3. Elija **Añadir nuevos dispositivos**. En la pantalla LCD se abre el mensaje **Registrar ahora o INTRODUCIR ID:xxx-xxxx**.
4. Introduzca 071-000x, donde x define el número del pin al cual el dispositivo cableado está conectado y pulse **Aceptar**.
5. En la pantalla LCD se abre el mensaje **ID aceptado**. Pulse **Aceptar**
6. Elija la opción de configuración de PGM necesaria.

### 4. Especificaciones

Eléctrica	
Tensiones de entrada (del panel PM-33)	+ (6,5 ÷ 13,8) voltios 3,8 voltios
Tensión de salida (a detectores cableados)	+12 voltios ± 5 %
Corriente de salida	36 mA media/450 mA máx.
Cantidad de canales de entrada y salida (zonas, programables)	8
Tensión en estado de inactividad del circuito de la zona	3,3 V
Terminación nominal de fin de línea (EOL) de la zona	2,2 KOhm ± 5 % (resistencia máx. de cables 220 Ω)
Corriente programable	100 mA máx.
Tensión programable (PGM) (a través de carga de resistencia)	+ 15 voltios máx.
Rango de temperatura en funcionamiento	-10 °C a 49 °C
Rango de temperatura en almacenamiento	-20 °C a 60 °C
Interfaz RS-485 con el módulo cableado de entrada y salida de ioXpander-12x4	
Interfaz con la Seech Box de VISONIC	

#### Garantía

Visonic Ltd. (el "vendedor") concede la garantía de los productos al comprador original (el "comprador") solo contra defectos de fabricación y de materiales en condiciones normales de uso del producto, durante un periodo de doce (12) meses a partir de la fecha de envío por parte del vendedor.

Esta garantía está totalmente supeditada a que el producto se haya instalado, mantenido y utilizado correctamente en condiciones de uso normal, con ajuste a las instrucciones de instalación y funcionamiento recomendadas por el vendedor. Esta garantía no cubre productos que se deterioren por cualquier otro motivo —a criterio del vendedor—por ejemplo, instalación incorrecta, incumplimiento de las instrucciones recomendadas de instalación y funcionamiento, negligencia, daño deliberado, mal uso o vandalismo, daño accidental, modificación o manipulación indebida, o reparación por alguien que no sea el vendedor.

No hay garantía alguna por el software y todos los productos de software se venden como licencia de usuario con arreglo a los términos del acuerdo de licencia de software que se incluye con el producto.

Condiciones para anular la garantía: esta garantía solo se aplica a defectos en piezas y mano de obra en relación con el uso normal de los productos. No cubre:

- daño incurrido en el transporte o en la manipulación;
- daño causado por algún desastre como incendio, inundaciones, vientos, terremotos o rayos;
- daño debido a causas más allá del control del vendedor, como voltaje excesivo, choque mecánico o daño por agua;
- daño causado por acoplamiento, alteraciones, modificaciones u objetos externos no autorizados utilizados con los productos o en conjunto con ellos;
- daño causado por periféricos —a menos que hayan sido suministrados por el vendedor,
- defectos causados por no proporcionar un ambiente de instalación adecuado para los productos;
- daños causados por el uso de los productos para fines para los que no fueron diseñados;
- daño por mantenimiento inapropiado,
- daño como consecuencia cualquier otro tipo de abuso, mal manejo o aplicación inapropiada de los productos.

**Artículos no cubiertos por la garantía:** además de los artículos que anulan la garantía, los siguientes artículos no serán cubiertos por la garantía: (i) coste de transporte al centro de reparaciones; (ii) tarifas aduaneras, impuestos o IVA que puedan ser adeudados; (iii) productos que no estén identificados con la etiqueta del producto y el número de lote o número de serie del vendedor; (iv) productos desmontados o reparados de forma tal que afecte negativamente el rendimiento o que impida la inspección o las pruebas adecuadas para verificar cualquier reclamo de garantía. Las tarjetas de acceso o las etiquetas devueltas para reemplazo en el marco de la garantía se acreditarán o reemplazarán a opción del vendedor.

**ESTA GARANTÍA ES EXCLUSIVA Y SUSTITUYE EXPRESAMENTE OTRAS GARANTÍAS, OBLIGACIONES O RESPONSABILIDADES, SEAN ORALES O POR ESCRITO, EXPLÍCITAS O IMPLÍCITAS, INCLUIDA CUALQUIER GARANTÍA DE COMERCIALIZACIÓN O ADECUACIÓN PARA UN FIN DETERMINADO, U OTRAS. EL VENDEDOR NO SERÁ RESPONSABLE EN NINGÚN CASO DE DAÑOS CONSECUENTES O INCIDENTALES CUALESQUIERA POR INCUMPLIMIENTO DE ESTA GARANTÍA O DE OTRAS GARANTÍAS CUALESQUIERA, COMO SE EXPRESA MÁS ARRIBA.**

**EL VENDEDOR NO SERÁ EN NINGÚN CASO RESPONSABLE POR CUALESQUIERA DAÑOS ESPECIALES, INDIRECTOS, INCIDENTALES, CONSECUENTES O PUNITIVOS, O POR PÉRDIDAS, DAÑOS O GASTOS, INCLUYENDO PÉRDIDA DE USO, DE BENEFICIOS, DE INGRESOS O DE CRÉDITO MERCANTIL, DIRECTA O INDIRECTAMENTE, COMO RESULTADO DEL USO**

**O DE LA INCAPACIDAD DE USO DEL PRODUCTO POR PARTE DEL COMPRADOR, O POR LA PÉRDIDA O DESTRUCCIÓN DE OTRA PROPIEDAD POR CUALQUIER OTRO MOTIVO, AUNQUE SE HAYA NOTIFICADO PREVIAMENTE AL VENDEDOR DE LA POSIBILIDAD DE TALES DAÑOS.**

**EL VENDEDOR NO ASUME NINGUNA RESPONSABILIDAD POR MUERTES, DAÑOS CORPORALES O DAÑOS MATERIALES U OTRAS PÉRDIDAS CUALESQUIERA, SEAN DIRECTOS, INDIRECTOS, INCIDENTALES O DE OTRA NATURALEZA, BASADOS EN UNA AFIRMACIÓN DE QUE EL PRODUCTO NO FUNCIONA.** Sin embargo, si el vendedor fuese considerado directo o indirectamente responsable de cualquier pérdida o daño que se produzca al amparo de esta garantía limitada la responsabilidad máxima del vendedor (si la hubiera) no podrá superar en ningún caso el precio de adquisición del producto en cuestión y será fijada como daños y perjuicios y no como penalización y constituirá el único y exclusivo recurso contra el vendedor.

Al aceptar la entrega de los productos, el comprador acepta las citadas condiciones de venta y de garantía y reconoce haber sido informado de las mismas.

En algunas jurisdicciones no se permite la exclusión o limitación de los daños incidentales o consecuentes, por lo que estas limitaciones podrían no resultar aplicables en ciertas circunstancias.

El vendedor no tendrá ningún tipo de responsabilidad derivada de la alteración o el mal funcionamiento de cualquier equipo de telecomunicaciones o electrónico ni de cualquier programa.

Las obligaciones del vendedor en virtud de esta garantía se limitan de manera exclusiva a la reparación o la sustitución, a discreción del vendedor, de cualquier producto o parte del mismo que resulte defectuoso. Ninguna reparación o sustitución extenderá el periodo de garantía original. El fabricante no será responsable de los costes de desmontaje o reinstalación. Para ejercitar esta garantía, los productos se deben devolver al vendedor con el flete prepagado y asegurado. Todos los costes de flete y seguro son responsabilidad del comprador y no se incluyen en esta garantía.

Esta garantía no se modificará, cambiará ni ampliará y el vendedor no autoriza a ninguna persona a que actúe en representación suya para modificar, cambiar o ampliar esta garantía. Esta garantía se aplicará solo a los productos. Todos los productos, accesorios o acoplamientos de terceros que se utilicen juntamente con los productos, incluidas baterías, estarán cubiertos exclusivamente por sus propias garantías, si las hubiera. El vendedor no será responsable de ningún daño o de ninguna pérdida, fuese directa, indirecta, incidental o consecuentemente o de otra manera, a causa del mal funcionamiento del producto debido a productos, accesorios o acoplamientos de terceros, incluidas baterías, utilizados juntamente con los productos. Esta garantía es exclusiva para el comprador original y no se transferible.

Esta Garantía es complementaria y no afecta a sus derechos legales. Cualquier disposición de esta garantía contraria al derecho del estado o del país en el que se suministre el producto no será aplicable.

**Legislación aplicable:** esta declaración de exención de responsabilidad de garantías y garantía limitada se rige por las leyes locales de Israel.

#### Advertencia

El usuario deberá seguir las instrucciones de instalación y funcionamiento del vendedor, incluida la prueba del producto y de todo el sistema una vez a la semana como mínimo y la adopción de todas las precauciones necesarias para su seguridad personal y la protección de sus bienes.



#### W.E.E.E. Declaración de reciclaje de producto

Para obtener información acerca del reciclaje de este producto, debe comunicarse con la empresa en la que se adquirió originalmente. Si desea deshacerse de este producto y no devolverlo para reparación, deberá asegurarse de que se devuelva como identificado por su proveedor. **Este producto no se puede tirar a la basura habitual.**

Directiva 2002/96/CE sobre Reciclaje de equipos eléctricos y electrónicos.



# Module d'extension ioXpander-8

Module interne câblé à 8 I/O pour panneau de commande PowerMaster-33



Instructions d'installation

## 1. Introduction

Le module d'extension ioXpander-8 améliore le panneau de commande PowerMaster-33 en ajoutant 8 entrées de zone ou sorties câblées programmables. Chaque sortie PGM câblée peut être configurée et chaque entrée de zone câblée peut être définie avec un emplacement et un type.

Le module d'extension ioXpander-8 est optionnel et peut être monté dans un panneau de commande PowerMaster-33 EXP de version 19.2 ou supérieure.



Schéma 1 Module d'extension ioXpander-8

## 2. Installation et câblage

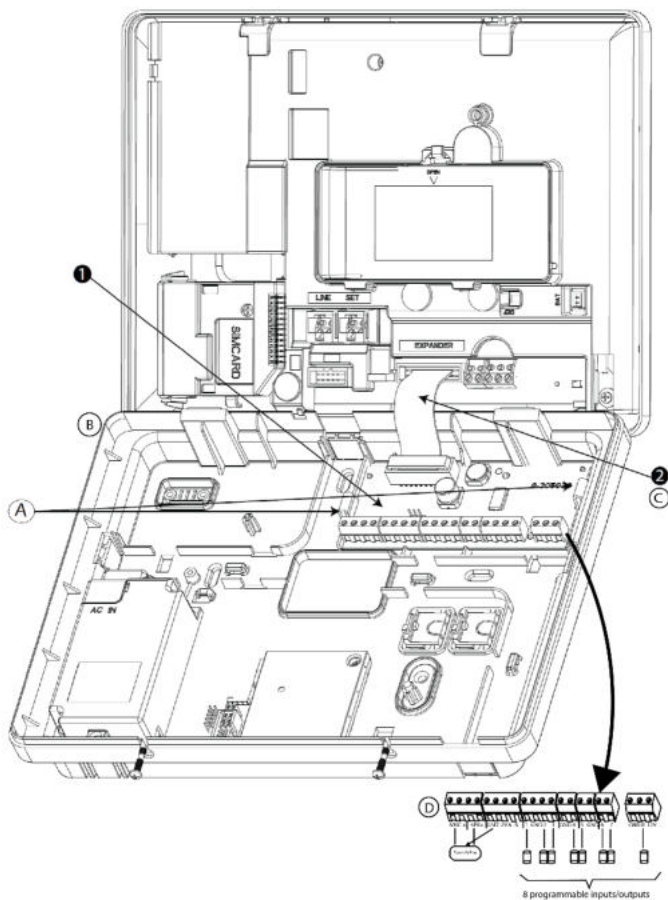


Schéma 2.1 - Montage et câblage du module d'extension ioXpander-8

- A. Clips
- B. Panneau arrière
- C. Câble plat du module d'extension
- D. Connexion des accessoires

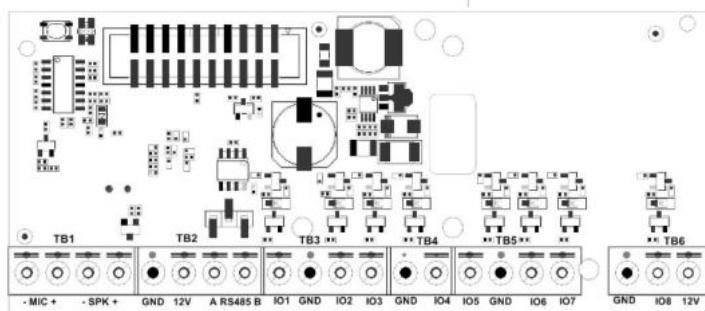


Schéma 2.2 - Emplacement des raccordements

### Remarques pour le câblage du Module d'extension ioXpander-8:

Les bornes de zone câblées peuvent être connectées au contact normalement fermé d'un détecteur, d'un interrupteur (par exemple l'interrupteur anti-sabotage de n'importe quel appareil), ou d'un bouton-poussoir, via une résistance de 2,2 kΩ. **La borne 12 V peut être utilisée pour alimenter en 12 V des détecteurs de faible puissance dont la consommation de courant en veille est de 10 mA ou moins tels que les DA-5 ; PL-1 ; Next\_PIR ; Vi-Motion et Vi-Pet.**

**IMPORTANT !** Les bornes pour sirènes intérieures et extérieures sont des sorties CC destinées à des sirènes 12 V. La connexion d'un haut-parleur à l'une de ces sorties entraînera un court-circuit et endommagera l'unité.

La boîte vocale est un dispositif combinant un haut-parleur et un microphone distants câblés pour une utilisation en intérieur. Elle assure une communication vocale bidirectionnelle entre l'utilisateur et le centre de surveillance via la centrale.

**Avertissement !** Évitez d'installer ou de retirer le Module d'extension ioXpander-8 lorsque la centrale est alimentée sur secteur ou sur batterie.

Concernant les zones câblées, la centrale classe les événements en fonction de la résistance mesurée, indiquée dans le tableau ci-dessous.

### Résistance de fin de ligne ou de clé d'armement

Plage	Zone	Clé d'armement
~0 kΩ à 1,76 kΩ	Anti-sabotage / Court-circuit	Anti-sabotage
~1,77 kΩ à 2,64 kΩ	Normale	Normale
~2,65 kΩ à 3,52 kΩ	Anti-sabotage	Anti-sabotage
~3,53 kΩ à 5,26 kΩ	Alarme	Alarme
~5,26 kΩ à ∞	Anti-sabotage	Anti-sabotage

Les broches 1 à 8 peuvent être configurées soit comme entrées de zone soit comme sorties PGM.

**Pour monter le module d'extension comme indiqué sur le schéma 2.1, procédez comme suit :**

1. Poussez le module d'extension entre les deux ergots pour l'insérer dans le panneau arrière. Reportez-vous au schéma 2.1 (A) pour identifier les clips.
2. Connectez le module d'extension ioXpander-8 via le câble plat à l'emplacement d'extension « EXPANDER » du panneau avant.

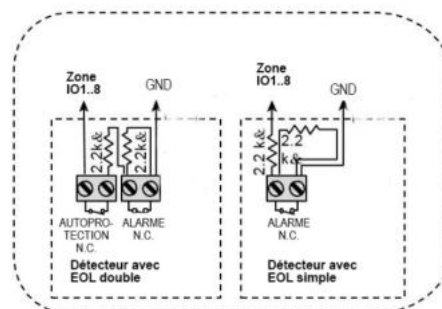


Schéma 2.1 - Exemple de connexion d'un détecteur

### 3. Configuration des entrées et des sorties sur le module

Avant de vous inscrire et de configurer le module:

- Vérifiez que l'ioXpander-8 est installé dans le PowerMaster-33. Pour obtenir plus de renseignements, lisez la section 2.
- Vérifiez que le KP-250 est inscrit sur le PowerMaster-33. Pour plus d'informations, consultez la procédure d'inscription KP-250 dans le Guide de l'installateur PowerMaster-33.
- Mettez le **Activer Expander** (Menu installateur **OK** **OK** 05: SORTIES **OK**) sur l'option **'Activé'**.

#### Configuration des types d'E / S sur zone ou PGM

- Accédez au menu Installer.
- Aller vers **Menu 05: Sorties** et cliquez sur **OK**.
- Sélectionner **EXP I / O PINS** et cliquez sur **OK**.
- Sélectionnez le numéro de broche.
- Selon la configuration physique, sélectionnez soit **Zone** ou **PGM**.

**Remarque:** par défaut, les broches 1 à 6 sont configurées sur Zone; les broches 7 et 8 sont configurées sur PGM.

#### Inscrire les appareils filaires

- Accédez au menu Installer.
- Aller vers **Menu 02: Zones / Appareils**
- Sélectionner **Ajouter de nouveaux Appareils**. Le **Inscrivez-vous maintenant ou entrez l'ID: le message xxx-xxxx** apparaît sur l'écran LCD.
- Entrez '051-000x' où x définit le numéro de broche auquel le périphérique câblé est connecté pour cliquer sur **OK**.
- Le **ID accepté** message apparaît sur l'écran LCD. Cliquez sur **OK**.
- Naviguer pour configurer le **Réglages de l'appareil**.

#### Programmation des sorties PGM

- Accédez au menu Installer.
- Aller vers **Menu 05: sorties** et cliquez sur **OK**.
- Sélectionner **Sorties PGM** et cliquez sur **OK**.
- Sélectionner **PGM sur Expander** et cliquez sur **OK**. **P0X: PIN PGM #X** affiche.

**Remarque:** X représente le numéro de la sortie PGM parmi les valeurs possibles 1 à 8.

**Remarque:** la liste affiche uniquement les broches définies en tant que PGM et permet de programmer chaque comportement de sortie PGM.

- Sélectionnez le numéro de broche requis et cliquez sur **OK**.
- Sélectionnez l'option de configuration PGM requise.

Vous pouvez également inscrire les sorties PGM comme suit:

- Accédez au menu Installer.
- Aller vers **Menu 02: Zones / Appareils**
- Sélectionner **Ajouter de nouveaux Appareils**. Le **Inscrivez-vous maintenant ou entrez l'ID: le message xxx-xxxx** apparaît sur l'écran LCD.
- Entrez '071-000x' où x définit le numéro de broche auquel la sortie est connectée et cliquez sur **OK**.
- Le message **ID accepté** apparaît sur l'écran LCD. Cliquez sur **OK**
- Sélectionnez l'option de configuration PGM requise.

### 4. Caractéristiques techniques

Caractéristiques électriques	
Tension d'entrée (à partir du panel PM-33)	6,5 – 13,8 V 3,8 V
Tension de sortie (vers le détecteur câblé)	12 V ± 5 %
Courant de sortie	36 mA moyen / 450 mA max.
Nombre de canaux d'entrée / sortie (zones / PGM)	8
Tension de la boucle de zone inactive	3,3 V
Résistance de terminaison nominale de fin de ligne de zone	2,2 kOhm ± 5% (résistance maximale des fils 220 Ω)
Courant PGM	100 mA max.
Tension PGM (sur une charge résistive)	15 V max.
Plage de températures d'exploitation	-10°C à 49°C
Plage de températures de stockage	-20°C à 60°C
Interface RS-485 vers le module I/O câblé ioXpander-12x4	
Interface vers la boîte vocale Visonic	

#### Garantie

Visonic Ltd. (le « Vendeur ») garantit les Produits uniquement à l'acquéreur original (« Acheteur ») contre tout défaut de fabrication et de matériaux dans des conditions normales d'utilisation pendant douze (12) mois après la date de livraison par le Vendeur.

Cette Garantie est totalement assujettie à l'installation, la maintenance et l'utilisation appropriées des Produits, dans des conditions normales et conformément aux instructions d'installation et de fonctionnement recommandées par le Vendeur. La Garantie ne couvre pas les Produits devenus défectueux pour toute autre raison (à la discrétion du Vendeur) comme une installation incorrecte ou non conforme aux instructions d'installation et de fonctionnement, négligence, dommages volontaires, abus, vandalisme, accident, modification ou réparation non effectuée par le vendeur.

La Garantie ne couvre pas le logiciel, et tous les produits logiciels sont vendus sous forme de licence utilisateur conformément aux termes de l'accord de licence logicielle fourni avec le Produit.

Conditions d'annulation de la Garantie : cette garantie s'applique uniquement aux défauts de pièces et main d'œuvre dans le cadre d'une utilisation normale des Produits. Elle ne couvre pas les dommages suivants :

- dommages survenus pendant la livraison ou la maintenance ;
- dommages dus à un sinistre tel qu'un incendie, une inondation, un vent fort, un tremblement de terre ou la foudre ;
- dommages causés par des phénomènes non contrôlables par le Vendeur, tels qu'une surtension, un choc mécanique ou un dégât des eaux ;
- dommages dus à un ajout, altération, modification ou objet étranger utilisé avec les Produits ;
- dommages dus à des périphériques (à moins qu'ils aient été fournis par le Vendeur) ;
- défauts dus à l'incapacité à fournir un environnement d'installation adapté aux produits ;
- dommages dus à l'utilisation des Produits à d'autres fins que celles pour lesquelles ils ont été conçus ;
- dommages dus à une maintenance incorrecte ;
- dommages dus à toute autre utilisation abusive, incorrecte ou inadaptée des Produits.

**Éléments non couverts par la garantie :** outre les conditions qui annulent la Garantie, les éléments suivants ne seront pas couverts par la Garantie : (i) frais d'expédition jusqu'au centre de réparation ; (ii) frais douaniers, taxes ou TVA dus ; (iii) Produits non identifiés par l'étiquette du produit et le numéro de lot ou le numéro de série du Vendeur ; (iv) Produits dont le démontage et la réparation ont eu pour conséquence de diminuer leurs performances ou d'empêcher toute inspection ou test nécessaire à l'intervention sous garantie. Les badges ou cartes d'accès retournés en vue d'un remplacement sous garantie seront remboursés ou remplacés au choix du Vendeur.

**CETTE GARANTIE EST EXCLUSIVE ET REMPLACE TOUTE AUTRE CONDITION, GARANTIE, ACCORD ET OBLIGATION, EXPRESSE OU IMPLICITE, Y COMPRIS TOUTE GARANTIE DE VALEUR MARCHANDE, D'ADÉQUATION À UNE FIN SPÉCIFIQUE, OU AUTRES. EN AUCUN CAS LE VENDEUR NE PEUT ÊTRE TENU RESPONSABLE ENVERS QUICONQUE DE DOMMAGES CONSÉCUTIFS OU INDIRECTS POUR TOUT MANQUEMENT AUX CONDITIONS DE TOUTE GARANTIE EXPRESSE OU IMPLICITE SUR CE MATÉRIEL. LE VENDEUR NE PEUT EN AUCUN CAS ÊTRE TENU RESPONSABLE DE TOUT DOMMAGE PARTICULIER, INDIRECT, ACCIDENTEL, CONSÉCUTIF OU À CARACTÈRE PUNITIF, OU DE PERTE, DOMMAGE OU FRAIS, Y COMPRIS PERTE DE JOUISSANCE, DE BÉNÉFICES, DE REVENUS, DIRECTEMENT OU INDIRECTEMENT LIÉS À**

**LA POSSIBILITE DE JOUISSANCE DU PRODUIT, OU POUR TOUTE PERTE OU DESTRUCTION D'AUTRES BIENS OU LIÉS À D'AUTRES CAUSES, ET CE, MEME SI L'ACHETEUR A ÉTÉ AVERTI DE LA POSSIBILITÉ DE TELS DOMMAGES.**

**LE VENDEUR NE SAURAIT ÊTRE RESPONSABLE DE TOUTS DÉCÈS, BLESSURE PERSONNELLE ET/OU CORPORELLE ET/OU DOMMAGES MATÉRIELS OU AUTRE PERTE, DIRECTS, INDIRECTS, ACCESSOIRES, CONSÉCUTIFS OU AUTRES, EN SE BASANT SUR UNE DÉFAILLANCE DU PRODUIT.**

Cependant, si le Vendeur est reconnu responsable, directement ou non de tout dommage ou perte survenant dans le cadre de cette garantie limitée, sa **responsabilité entière ne pourra en aucun cas dépasser le coût d'achat du produit**, qui sera fixé en tant que dommages-intérêts et non comme une pénalité, et constituera le seul et unique recours contre le Vendeur.

En acceptant la livraison des Produits l'Acheteur accepte ces conditions de vente et de garantie et reconnaît en avoir été informé.

Certaines juridictions ne permettent pas d'exclusion ou de limitation de responsabilité pour des dommages directs ou indirects, aussi la limitation ci-dessus peut ne pas s'appliquer dans certaines circonstances.

Le Vendeur n'acceptera aucune responsabilité consécutive à l'altération et/ou au dysfonctionnement de tout équipement électronique ou de télécommunication ou programme.

Les obligations du vendeur, en vertu de la présente garantie, se limitent exclusivement à la réparation et/ou au remplacement, à la discrétion du vendeur, de tout produit ou partie de celui-ci qui pourrait s'avérer défectueux. Toute réparation et/ou remplacement ne donnera pas lieu à une prolongation de la période initiale de garantie. Le Vendeur n'assurera pas les coûts de démontage et/ou réinstallation. Pour appliquer cette Garantie, les Produits doivent être retournés au Vendeur, assurés et en port payé. Tous les frais de port et d'assurance sont à la charge du Vendeur et sont exclus de cette Garantie.

Cette garantie ne saurait être modifiée ou étendue, et le Vendeur n'autorise personne à agir en son nom pour une telle modification ou extension. Cette garantie ne s'applique qu'aux Produits. Tout autre produit, accessoire, ajout utilisé conjointement aux Produits, tels que les piles, ne seront couverts que par leur propre garantie si elle existe. Le Vendeur n'acceptera aucune responsabilité pour tout dommage résultant d'un dysfonctionnement des Produits à cause de tout produit, accessoire, ajout ou autre (y compris les piles) utilisé conjointement aux Produits. Cette Garantie est exclusive à l'Acheteur original et ne peut être transférée.

Cette Garantie complète vos droits légaux et ne les affecte pas. Toute disposition de cette garantie, contraire à la loi du pays où le produit est fourni, ne s'applique pas.

**Loi applicable :** cette clause de non-responsabilité et cette garantie limitée sont régies par le droit national d'Israël.

#### Attention

L'utilisateur doit suivre les instructions d'installation et d'utilisation du Vendeur, y compris les consignes de test du Produit et du système dans son ensemble, au moins une fois par semaine et prendre toutes les précautions requises pour sa sécurité et la protection de sa propriété.



#### D.E.F.E. Déclaration sur le recyclage du produit

Pour toute information concernant le recyclage de ce produit, vous devez contacter l'entreprise à laquelle vous l'avez acheté initialement. Si vous mettez ce produit au rebut et ne l'envoyez pas en réparation, veillez à le retourner en suivant les instructions du fournisseur. Vous ne devez pas jeter cet appareil dans les déchets ménagers. Directive 2002/96/CE sur les déchets d'équipements électriques et électroniques.

# Modulo Expander ioXpander-8

Modulo interno I/O 8 cablato per centrale PowerMaster-33



Istruzioni di installazione

## 1. Introduzione

Il modulo expander ioXpander-8 migliora la centrale PowerMaster-33 con 8 ingresso e uscita di zona cablata programmabili. Il comportamento di ciascuna uscita PGM cablata può essere configurato e ciascun ingresso di zona cablato può essere configurato con una posizione e un tipo.

Il modulo expander ioXpander-8 è opzionale e può essere installato in una centrale PowerMaster-33 EXP versione 19.2 o superiore.

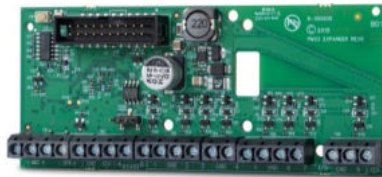


Fig. 1 Modulo Expander ioXpander-8

**Note per il cablaggio del modulo Expander ioXpander-8:**  
 È possibile collegare i terminali della zona cablata al contatto normalmente chiuso di un rilevatore, di un interruttore (ad esempio, l'interruttore antimanomissione di qualsiasi dispositivo), o a un pulsante, attraverso una resistenza da 2,2 K $\Omega$ . È possibile utilizzare il terminale contrassegnato come 12 V per fornire alimentazione a 12 V ai rilevatori con assorbimento di corrente di standby fino a 10 mA come DA-5; PL-1; Next\_PIR; Vi-Motion; Vi-Pet.

**IMPORTANTE!** I terminali delle sirene interne ed esterne sono uscite CC destinate a sirene a 12 V. Collegando un altoparlante a una di queste uscite si provocherà un cortocircuito, con conseguenti danni all'unità.

La Speech Box è un altoparlante e microfono remoto cablato destinato all'uso all'interno. Esso consente la comunicazione vocale bidirezionale tra l'utente e la stazione centrale mediante la centrale.

**Attenzione!** Non installare o rimuovere il modulo expander ioXpander-8 mentre la centrale è alimentata dalla rete elettrica CA o dalla batteria.

Per quanto concerne le zone cablate, la centrale classifica gli eventi in base alla resistenza misurata, come mostrato nella tabella qui di seguito.

E.O.L o resistenza comando inserimento

stoccaggio	Zona	Comando inser.
~0 k $\Omega$ - 1,76 k $\Omega$	Manomissione/cortocircuito	Manomissione
~1,77 k $\Omega$ - 2,64 k $\Omega$	Normale	Normale
~2,65 k $\Omega$ - 3,52 k $\Omega$	Manomissione	Manomissione
~3,53 k $\Omega$ - 5,26 k $\Omega$	Allarme	Allarme
~5,26 k $\Omega$ - $\infty$	Manomissione	Manomissione

I pin da 1 a 8 possono essere configurati come ingressi di zona oppure come uscite PGM.

Per montare il modulo Expander come mostrato nella Figura 2.1, procedere come segue:

1. Premere il basso sul modulo Expander tra le due clip per inserire il modulo nel pannello posteriore. Per identificare le clip, vedere la Figura 2.1 (A).
2. Collegare il modulo expander ioXpander-8 mediante la piattina all'alloggiamento EXPANDER per l'Expander nel pannello anteriore.

## 2. Installazione e cablaggio

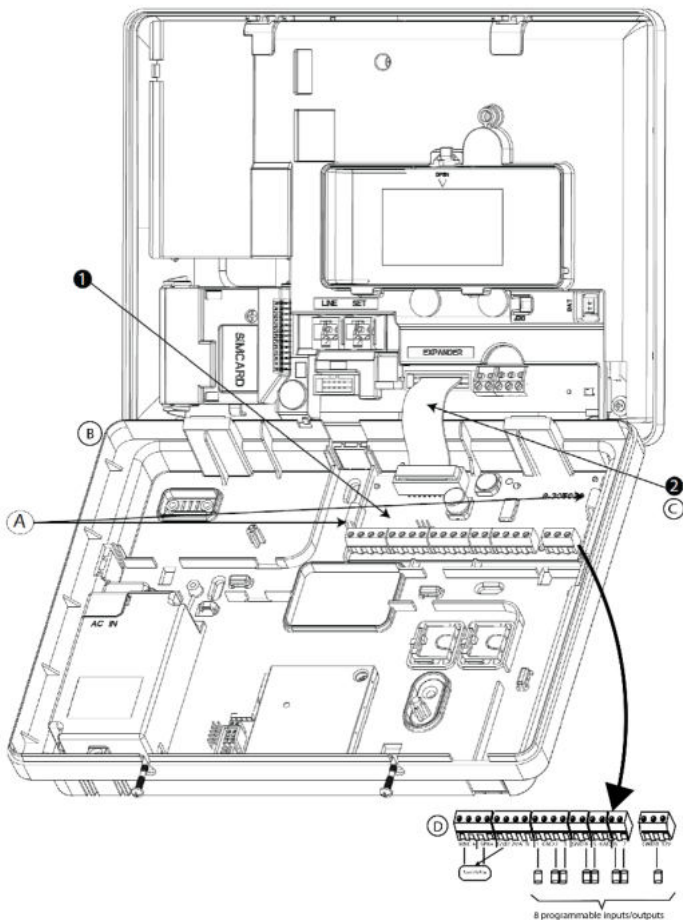


Figura 2.1 - Montaggio e cablaggio del modulo Expander ioXpander-8

- A. Clip
- B. Pannello posteriore
- C. Piattina per modulo Expander
- D. Dispositivi di collegamento

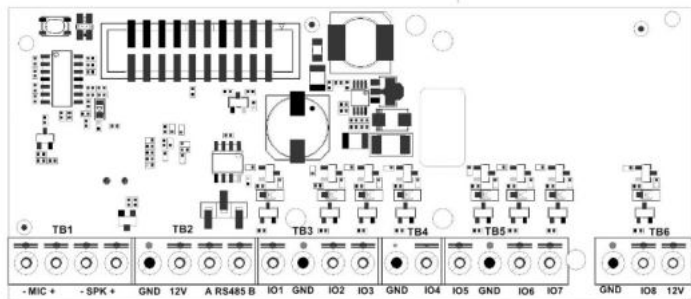


Figura 2.2 - Disposizione dei piedini

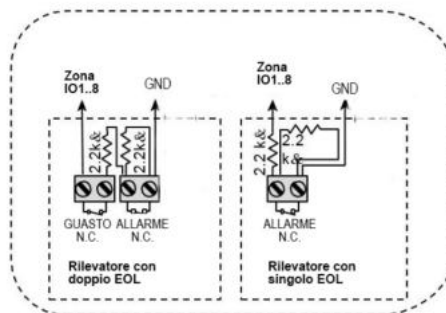


Figura 2.1 - Esempio di collegamento del rilevatore

### 3. Configurazione di input e output nel modulo

Prima di registrare e configurare il modulo:

- Controllare che ioXpander-8 sia installato nel PowerMaster-33. Per ulteriori informazioni, vedere la Sezione 2.
- Controllare che il KP-250 sia registrato nel PowerMaster-33. Per ulteriori informazioni, vedere la procedura di registrazione KP-250 nella Guida per l'installatore del PowerMaster-33.
- Impostare l'opzione **Abilita Expander** (Menu Installatore **OK** **▶▶** 05:USCITE **OK**) su **'Abilitato'**.

#### Configurazione dei tipi di I/O su zona o PGM

- Accedere al menu Installatore.
- Passare a **Menu 05: Uscite** e fare clic su **OK**.
- Selezionare **IMP. PIN I/O EXP** e fare clic su **OK**.
- Selezionare il numero di pin.
- A seconda dell'impostazione fisica, selezionare **Zona o PGM**.

**Nota:** per impostazione predefinita, i pin dal n. 1 al n. 6 sono configurati su Zona; i pin dal n. 7 al n. 8 sono configurati su PGM.

#### Registrazione dei dispositivi cablati

- Accedere al menu Installatore.
- Passare a **Menu 02: Zone/Dispositivi**
- Selezionare **AGG. NUOVO DISP.** Sull'LCD compare l'indicazione **TRASMETTERE ORA o IMMETERE ID:xxx-xxxx**.
- Immettere '051-000x' dove x definisce il numero di pin al quale è collegato il dispositivo cablati per fare clic su **OK**.
- Sull'LCD compare l'indicazione **ID ACCETTATO**. Fare clic su **OK**.
- Navigare per configurare le **impostazioni del dispositivo**.

#### Programmazione delle uscite PGM

- Accedere al menu Installatore.
- Passare a **Menu 05: Uscite** e fare clic su **OK**.
- Passare a **Uscite PGM** e fare clic su **OK**.
- Selezionare **PGM on Expander** e fare clic su **OK**. Viene visualizzata l'indicazione **P0X: PGM PIN #X**.

**Nota:** X rappresenta il numero dell'uscita PGM dai valori possibili da 1 a 8.

**Nota:** l'elenco visualizza solo i pin definiti come PGM e consente di programmare ciascun comportamento di uscita PGM.

- Selezionare il numero PIN desiderato e fare clic su **OK**.
- Selezionare l'opzione di configurazione PGM.

In alternativa, registrare le uscite PGM nel modo seguente:

- Accedere al menu Installatore.
- Passare a **Menu 02: Zone/Dispositivi**
- Selezionare **AGG. NUOVO DISP.** Sull'LCD compare l'indicazione **TRASMETTERE ORA o IMMETERE ID:xxx-xxxx**.
- Immettere '071-000x', dove x definisce il numero di pin al quale è collegata l'uscita e fare clic su **OK**.
- Sull'LCD compare l'indicazione **ID ACCETTATO**. Fare clic su **OK**.
- Selezionare l'opzione di configurazione PGM.

### 4. Specifiche

Elettriche	
Tensioni di ingresso (dalla centrale PM-33)	+ (6,5 ÷ 13,8) V + 3,8 V
Tensione di uscita (ai rilevatori cablati)	+12 V ± 5 %
Corrente di uscita	36 mA media / 450 mA max.
Quantità di canali di ingresso/uscita (zone/PGM)	8
Tensione inattività ciclo zona	3,3 V
Terminazione nominale EOL zona	2,2 KOhm ± 5 % (resistenza massima del cablaggio 220 Ω)
Corrente PGM	100 mA Max.
Tensione PGM (attraverso il carico di resistenza)	+ 15 V max.
Intervallo temp. di funzionamento	Da 14 °F a 120 °F (da -10 °C a 49 °C)
Intervallo temp. di stoccaggi	Da -4 °F a 140 °F (da -20 °C a 60 °C)
Interfaccia RS-485 su modulo I/O cablati ioXpander-12x4	
Interfaccia su Speech Box Visonic	

#### Garanzia

Visonic Ltd. (il "Venditore") fornisce garanzia per i prodotti all'acquirente originale ("Acquirente") per difetti di fabbricazione e di materiali in condizioni di utilizzo normale dei Prodotti per un periodo di dodici (12) mesi dalla data di spedizione da parte del Venditore.

Questa garanzia è assolutamente condizionata dal fatto che i Prodotti siano stati installati, controllati e azionati correttamente, e in condizioni di utilizzo conformi alle istruzioni di installazione e funzionamento consigliate dal Venditore. I prodotti che sono divenuti difettosi per qualsiasi altra ragione, a discrezione del Venditore, quale installazione non corretta, mancato rispetto delle istruzioni fornite di installazione e funzionamento, negligenza, danno intenzionale, uso improprio o vandalismo, danno accidentale, alterazione, manomissione o riparazione effettuata da terze parti diverse dal Venditore, non sono coperti da questa garanzia.

Il software non è coperto da alcuna garanzia e tutti i prodotti software sono venduti come licenza utente in base ai termini del contratto di licenza software incluso con tale Prodotto.

Condizioni che rendono nulla la garanzia: questa garanzia è applicabile solo ai difetti di parti e manodopera in relazione al normale uso dei Prodotti. Essa non copre:

- i danni di spedizione o spostamento;
- i danni causati da disastri naturali, come incendio, inondazione, vento, terremoti o fulmini;
- i danni dovuti a cause fuori dal controllo del venditore, come tensione eccessiva, urti meccanici o danni dovuti all'acqua;
- i danni provocati da allegati non autorizzati, alterazioni, modifiche o corpi estranei utilizzati con o senza i Prodotti;
- i danni provocati dalle periferiche (a meno che tali periferiche non fossero state fornite dal venditore);
- i difetti provocati dal non aver predisposto un ambiente di installazione idoneo per i prodotti;
- i danni provocati dall'uso dei Prodotti per scopi diversi da quelli per i quali erano stati progettati;
- i danni dovuti a manutenzione errata;
- i danni dovuti a qualsiasi altro abuso, cattivo uso o applicazione impropria dei Prodotti.

**Elementi non coperti dalla garanzia:** oltre agli elementi che rendono nulla la garanzia, i seguenti elementi non saranno coperti: (i) costo di trasporto al centro di riparazione; (ii) spese, tasse e IVA eventualmente dovute; (iii) Prodotti che non sono identificati con l'etichetta del prodotto del venditore e il numero di lotto o numero di serie; (iv) Prodotti smontati o riparati in modo tale da avere conseguenze negative sulle prestazioni o impedire l'ispezione o l'esecuzione dei test per verificare qualsiasi richiesta di garanzia. Schede o tag di accesso restituiti e coperti dalla garanzia saranno accreditati o sostituiti a discrezione del venditore.

**QUESTA GARANZIA È ESCLUSIVA E SOSTITUISCE ESPRESSAMENTE TUTTE LE ALTRE GARANZIE, OBBLIGHI O RESPONSABILITÀ, IN FORMA SCRITTA, ORALE, ESPRESSA O IMPLICITA, COMPRESA QUALSIASI GARANZIA DI COMMERCIALIZZABILITÀ O IDONEITÀ PER UNO SCOPO PARTICOLARE, O ALTRO. IN NESSUN CASO IL VENDITORE SARÀ RESPONSABILE PER EVENTUALI DANNI DIRETTI O INDIRETTI PER LA VIOLAZIONE DI QUESTA GARANZIA O DI QUALSIASI GARANZIA DI ALTRO TIPO, COME GIÀ MENZIONATO.**

**IL VENDITORE NON POTRÀ IN ALCUN CASO ESSERE RITENUTO RESPONSABILE PER DANNI SPECIALI, INDIRETTI, INCIDENTALI, CONSEGUENZIALI O PUNITIVI O DOVUTI A PERDITE, DANNI O SPESE, INCLUSI PERDITA D'USO, PROFITTI, ENTRATE, O BENEVOLENZA, DERIVANTI DIRETTAMENTE O INDIRETTAMENTE DALL'USO DELL'ACQUIRENTE**

**O DALL'IMPOSSIBILITÀ DI UTILIZZARE IL PRODOTTO, O PER LA PERDITA O LA DISTRUZIONE DI ALTRI BENI O PER QUALSIASI ALTRA CAUSA, ANCHE SE IL VENDITORE ERA STATO AVVISATO DELLA POSSIBILITÀ DI TALI DANNI.**

**IL VENDITORE NON SI ASSUME ALCUNA RESPONSABILITÀ PER CASI DI MORTE, LESIONI PERSONALI E/O DANNI ALLA PROPRIETÀ O ALTRE PERDITE DIRETTE, INDIRETTE, INCIDENTALI, CONSEGUENZIALI O DI ALTRO TIPO, SULLA BASE DI UNA PRETESA CHE IL PRODOTTO ERA DIFETTOSO.** Tuttavia, se il venditore è ritenuto responsabile, direttamente o indirettamente, per qualsiasi perdita o danno in corso ai sensi della presente garanzia limitata, la **responsabilità del VENDITORE (se presente) non può in ogni caso superare il prezzo di acquisto del prodotto COINVOLTO**, che dovrà essere fissato come liquidazione del danno e non a titolo di penale, e sarà ad esclusivo carico del Venditore.

Accettando la consegna dei Prodotti, l'acquirente accetta le suddette condizioni di vendita e garanzia e riconosce di esserne stato informato.

Alcune giurisdizioni non consentono l'esclusione o la limitazione di danni incidentali o consequenziali, pertanto queste limitazioni potrebbero non essere applicabili in determinate circostanze.

Il Venditore non sarà vincolato da alcuna responsabilità risultante da corruzione e/o di cattivo funzionamento di qualsiasi mezzo di telecomunicazione, apparecchiature elettroniche o altri programmi.

Le obbligazioni del Venditore conformemente a questa Garanzia sono limitate unicamente alla riparazione e/o sostituzione a discrezione del Venditore, dello stesso Prodotto o di qualsiasi parte difettosa. Qualsiasi riparazione e/o sostituzione non prolungherà il periodo originale di validità della Garanzia. Il Venditore non sarà responsabile per i costi di smontaggio e/o di reinstallazione. Per esercitare tale Garanzia, i Prodotti devono essere restituiti al Venditore con trasporto pre-pagato e assicurato. Tutte le spese di trasporto e di assicurazione sono a carico dell'Acquirente e non sono incluse in questa Garanzia.

Questa garanzia non deve essere modificata, variata o estesa, e il Venditore non autorizza nessuna persona ad agire per suo conto nella modifica, variazione o estensione di questa garanzia. Questa garanzia si applica esclusivamente ai Prodotti. Tutti i prodotti, accessori o aggiunte, di altri elementi utilizzati insieme ai Prodotti, incluse le batterie, saranno coperte solo dalle loro rispettive garanzie, se presenti. Il Venditore non sarà responsabile per qualsiasi danno o perdita di qualsiasi genere, diretta, indiretta, incidentale, conseguente o di altro tipo, causata dal malfunzionamento del Prodotto dovuto a prodotti, accessori aggiunte o altri elementi, incluse le batterie, utilizzati in combinazione con i Prodotti. Questa Garanzia è esclusivamente dell'Acquirente originale e non è cedibile.

Questa Garanzia è in aggiunta e non pregiudica i diritti legali. Non si applica ogni disposizione della presente garanzia che è in contrasto con la legge nello Stato o Paese in cui il Prodotto viene fornito.

**Legge applicabile:** la declinazione di responsabilità e la garanzia limitata sono disciplinate dalle leggi nazionali di Israele.

#### Avvertenza

L'utente deve seguire le istruzioni operative e di installazione del Venditore, incluso il collaudo del Prodotto e del suo sistema completo almeno una volta alla settimana e dovrà prendere tutte le precauzioni necessarie per la protezione della propria sicurezza e di quella della sua proprietà.



#### R.A.E.E. Dichiarazione sul riciclaggio del prodotto

Per informazioni sul riciclaggio di questo prodotto è necessario contattare l'azienda presso la quale esso era stato acquistato. Se questo prodotto viene gettato via e non viene restituito per la riparazione, è necessario assicurarsi che esso venga restituito, attenendosi alle informazioni del fornitore. **Questo prodotto non può essere smaltito nei rifiuti domestici.**

Direttiva 2002/96/EC sui rifiuti di apparecchiature elettriche ed elettroniche.



EMAIL: info@visonic.com  
INTERNET: www.visonic.com

©VISONIC LTD. 2018 ioXpander-8 Module Installation Instructions D-306966 (REV.1, 10/18)



D-306966

